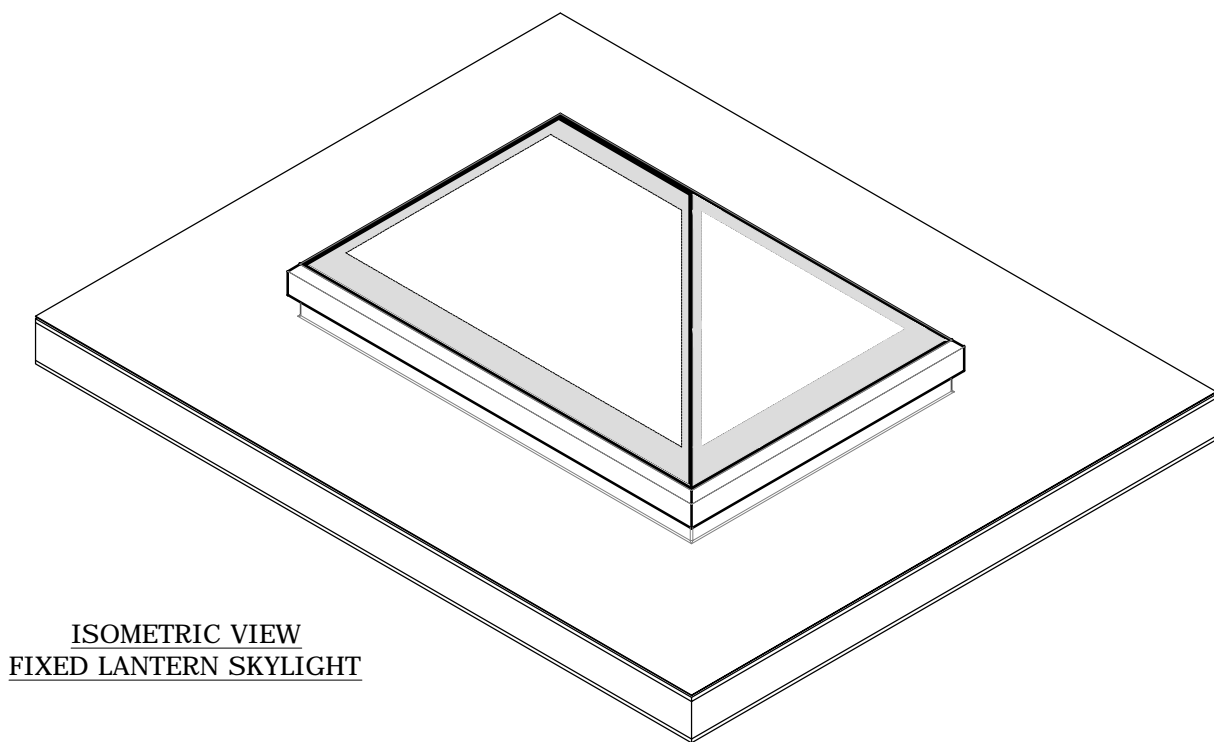
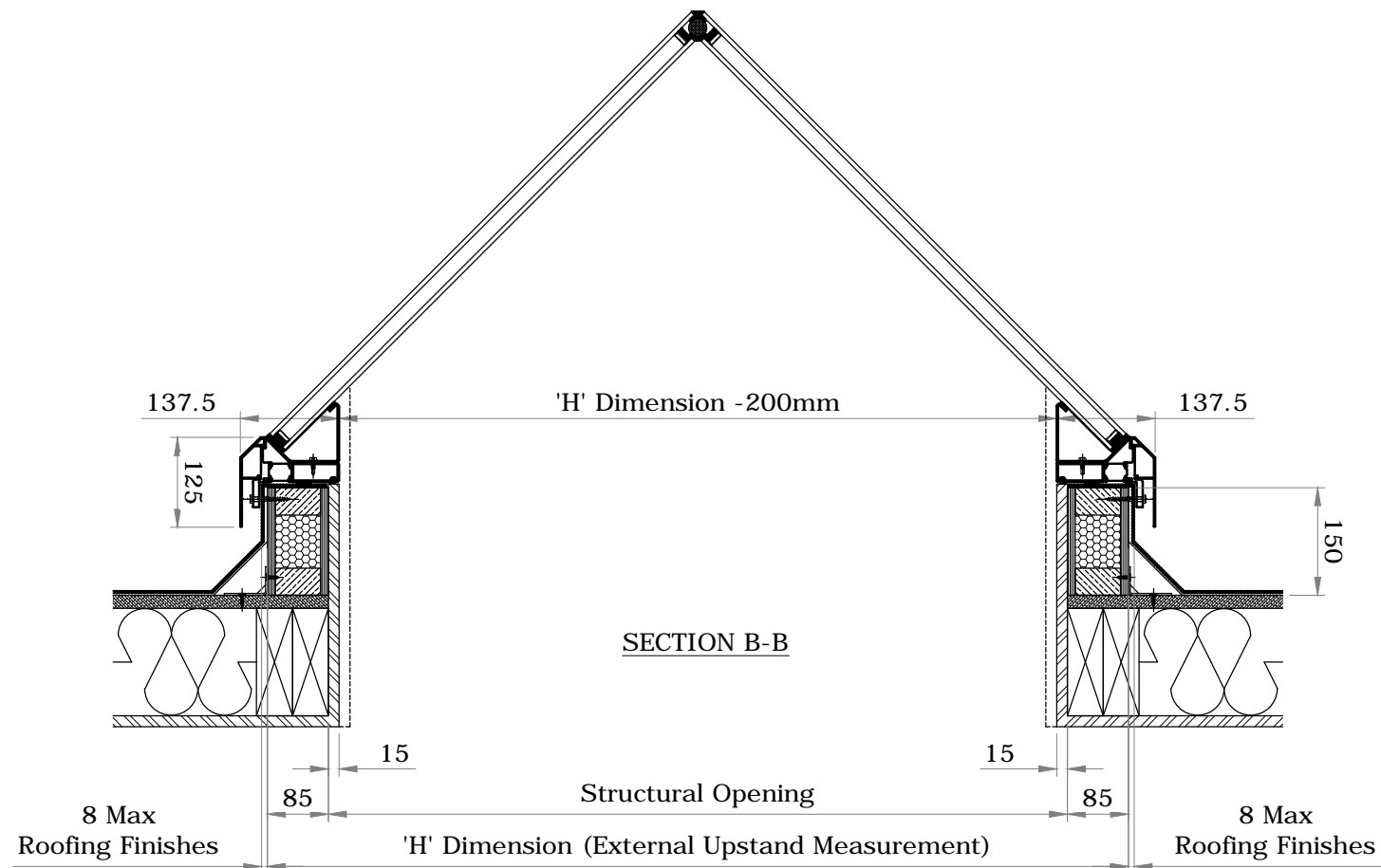


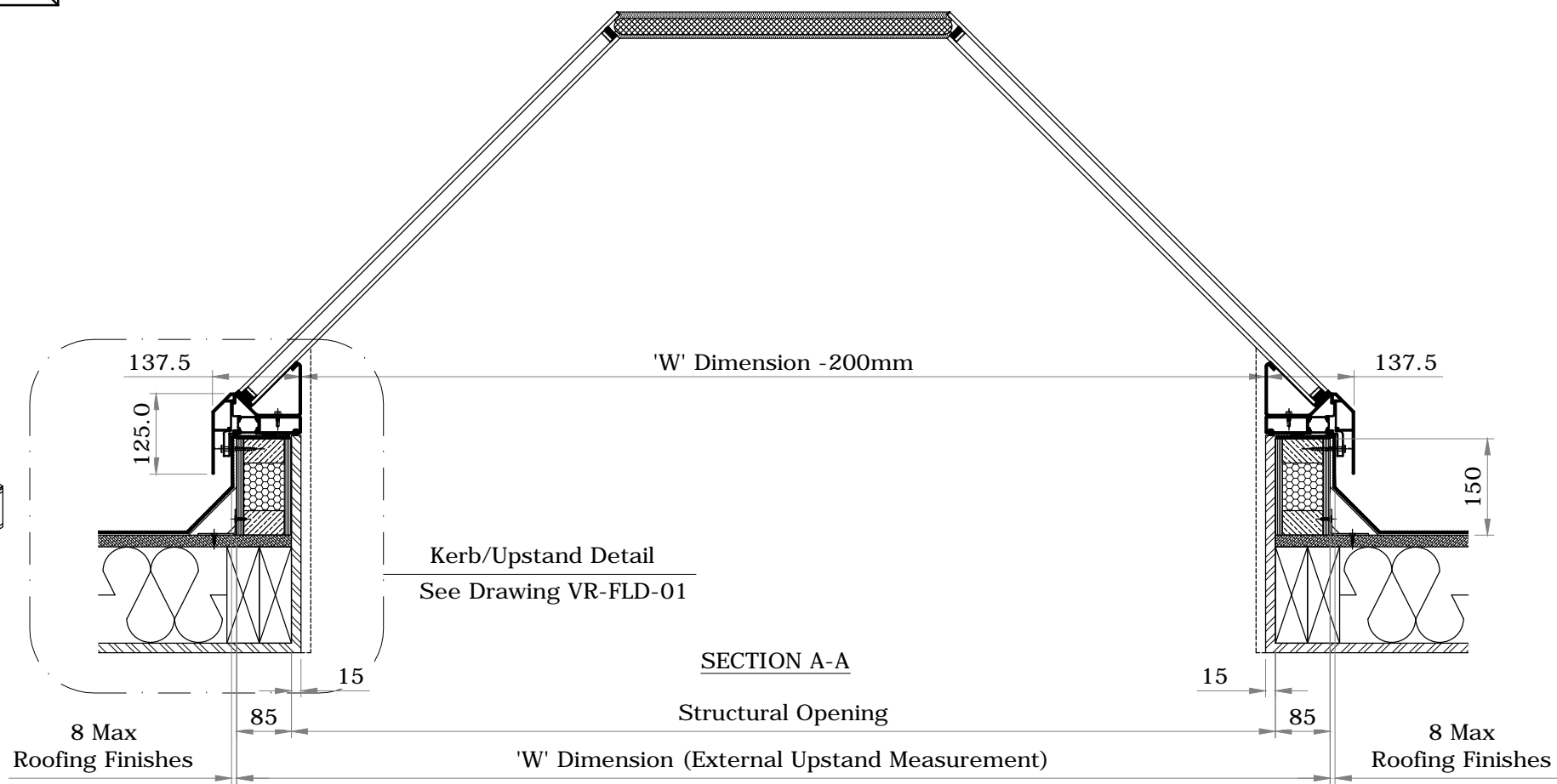
PLAN VIEW
FIXED LANTERN
SKYLIGHT



ISOMETRIC VIEW
FIXED LANTERN SKYLIGHT



SECTION B-B



SECTION A-A



GENERAL NOTES

1. NO DIMENSIONS ARE TO BE SCALED FROM THIS DRAWING.
2. DISCREPANCIES IN SITE DIMENSIONS TO BE REPORTED TO VISION AGI LTD.
3. ALL DIMENSIONS IN MILLIMETERS.
4. ALL LEVELS IN METRES.
5. THIS DRAWING REMAINS THE PROPERTY OF VISION AGI LIMITED AND MAY NOT BE COPIED, REPRODUCED OR IT'S CONTENTS DIVULGED WITHOUT PRIOR WRITTEN CONSENT FROM VISION AGI LIMITED.

| Rev | Date | Init | Revision |
|-----|------|------|----------|
| | | | |

Vision AGI Limited
Waterhouse Business
Center
2 Cromar Way
Chelmsford
Essex 1CM 2QE

T: 01245 392 108
F: 01621 841 998
W: visionagi.co.uk

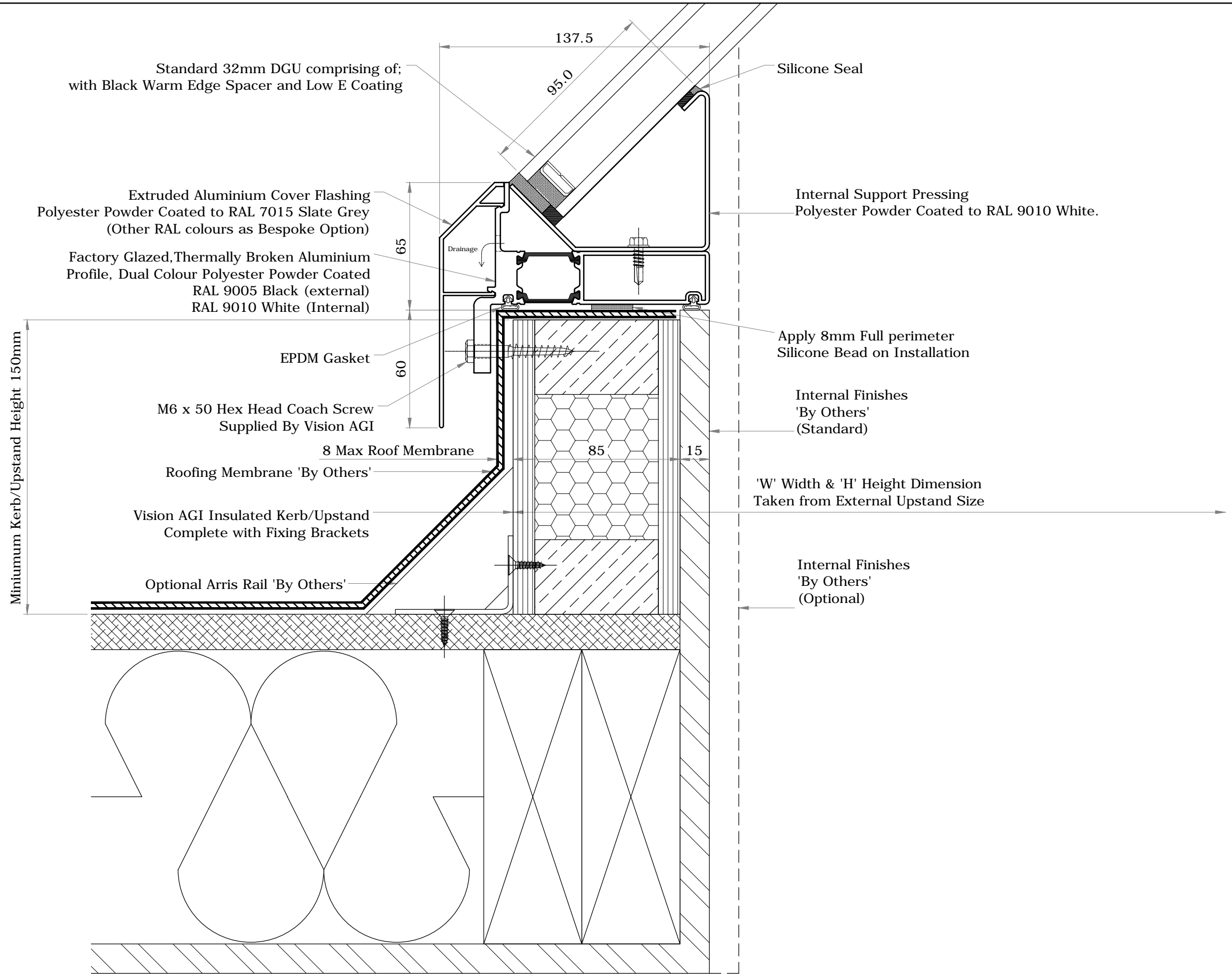


Client:

Title: Fixed Lantern Skylight

Project: VAGI Rooflight

| | | | |
|-------------------|----------------|------------|---------|
| Scale: 1: 10 @ A3 | Date: 23/10/13 | Drawn: GSH | Chk: EW |
| Drg No.: VR-FL-01 | | | Rev: A |



GENERAL NOTES

1. NO DIMENSIONS ARE TO BE SCALED FROM THIS DRAWING.
2. DISCREPANCIES IN SITE DIMENSIONS TO BE REPORTED TO VISION AGI LTD.
3. ALL DIMENSIONS IN MILLIMETERS.
4. ALL LEVELS IN METRES.
5. THIS DRAWING REMAINS THE PROPERTY OF VISION AGI LIMITED AND MAY NOT BE COPIED, REPRODUCED OR IT'S CONTENTS DIVULGED WITHOUT PRIOR WRITTEN CONSENT FROM VISION AGI LIMITED.



| Rev | Date | Init | Revision |
|-----|------|------|----------|
| | | | |

Vision AGI Limited
 Waterhouse Business
 Center
 2 Cromar Way
 Chelmsford
 Essex 1CM 2QE
 T: 01245 392 108
 F: 01621 841 998
 W: visionagi.co.uk



Client:

| | | | |
|--|-----------------------|-------------------|----------------|
| Title: Fixed Lantern Skylight Kerb/Upstand Section Detail | | | |
| Project: VAGI Rooflight | | | |
| Scales: 1:2 @ A3 | Date: 23/10/13 | Drawn: GSH | Chk: EW |
| Drg No.: VR-FLD-01 | | Rev: A | |