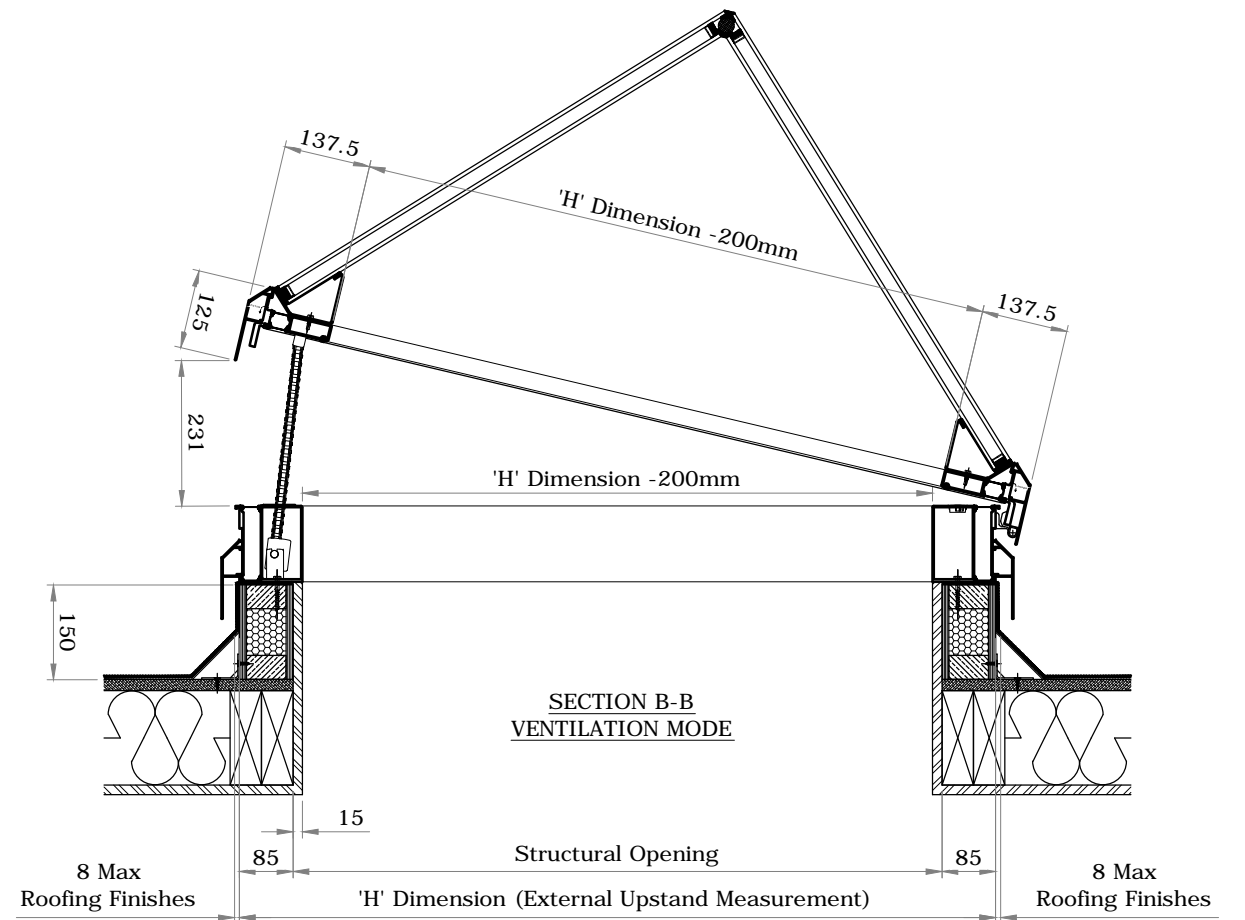
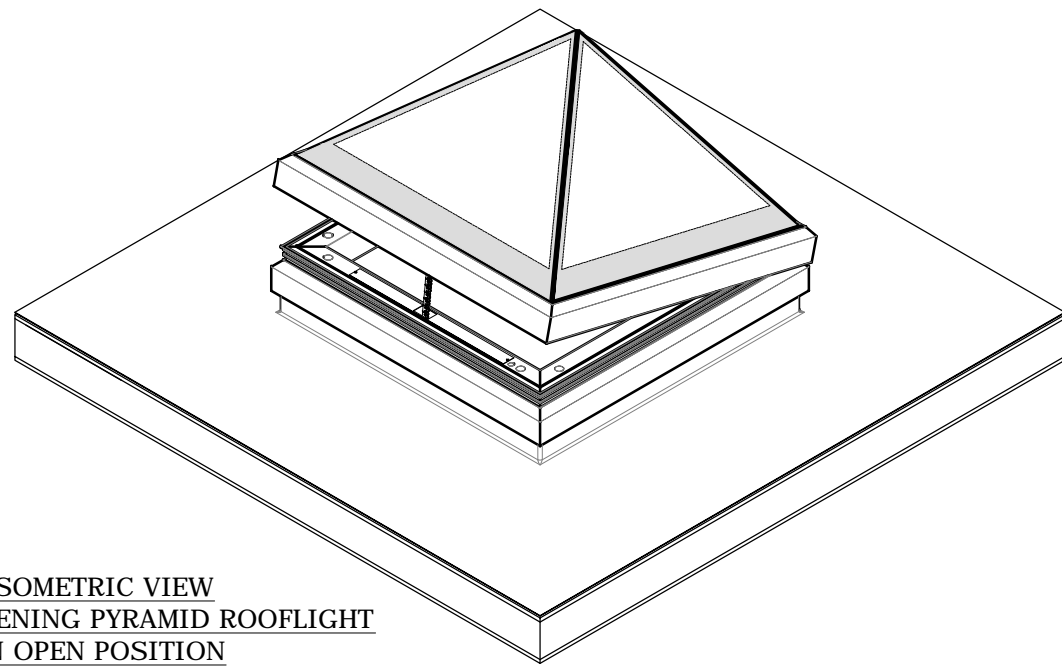


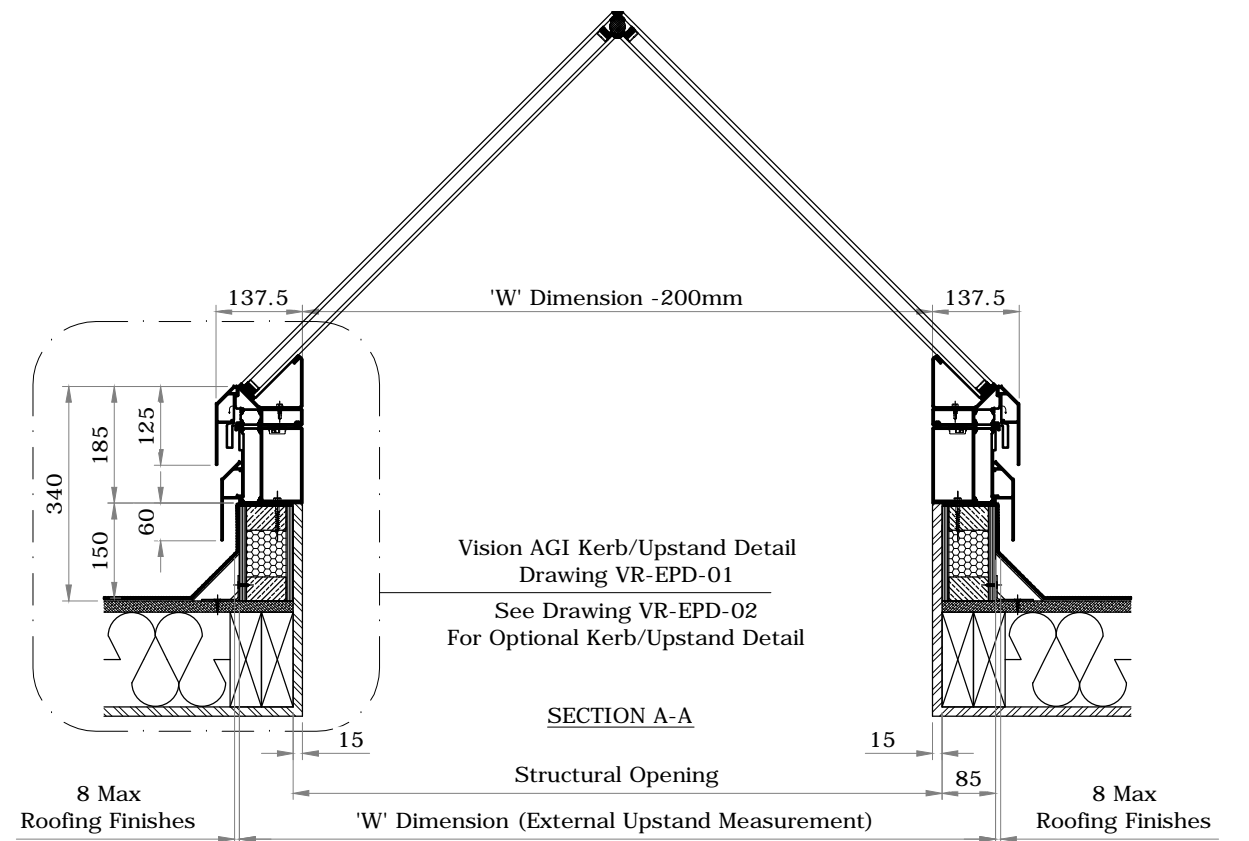
PLAN VIEW
ELECTRIC OPENING PYRAMID ROOFLIGHT
IN CLOSED POSITION



SECTION B-B
VENTILATION MODE



ISOMETRIC VIEW
ELECTRIC OPENING PYRAMID ROOFLIGHT
IN OPEN POSITION



Vision AGI Kerb/Upstand Detail
Drawing VR-EPD-01
See Drawing VR-EPD-02
For Optional Kerb/Upstand Detail

SECTION A-A



GENERAL NOTES

1. NO DIMENSIONS ARE TO BE SCALED FROM THIS DRAWING.
2. DISCREPANCIES IN SITE DIMENSIONS TO BE REPORTED TO VISION AGI LTD.
3. ALL DIMENSIONS IN MILLIMETERS.
4. ALL LEVELS IN METRES.
5. THIS DRAWING REMAINS THE PROPERTY OF VISION AGI LIMITED AND MAY NOT BE COPIED, REPRODUCED OR IT'S CONTENTS DIVULGED WITHOUT PRIOR WRITTEN CONSENT FROM VISION AGI LIMITED.



Rev	Date	Init	Revision

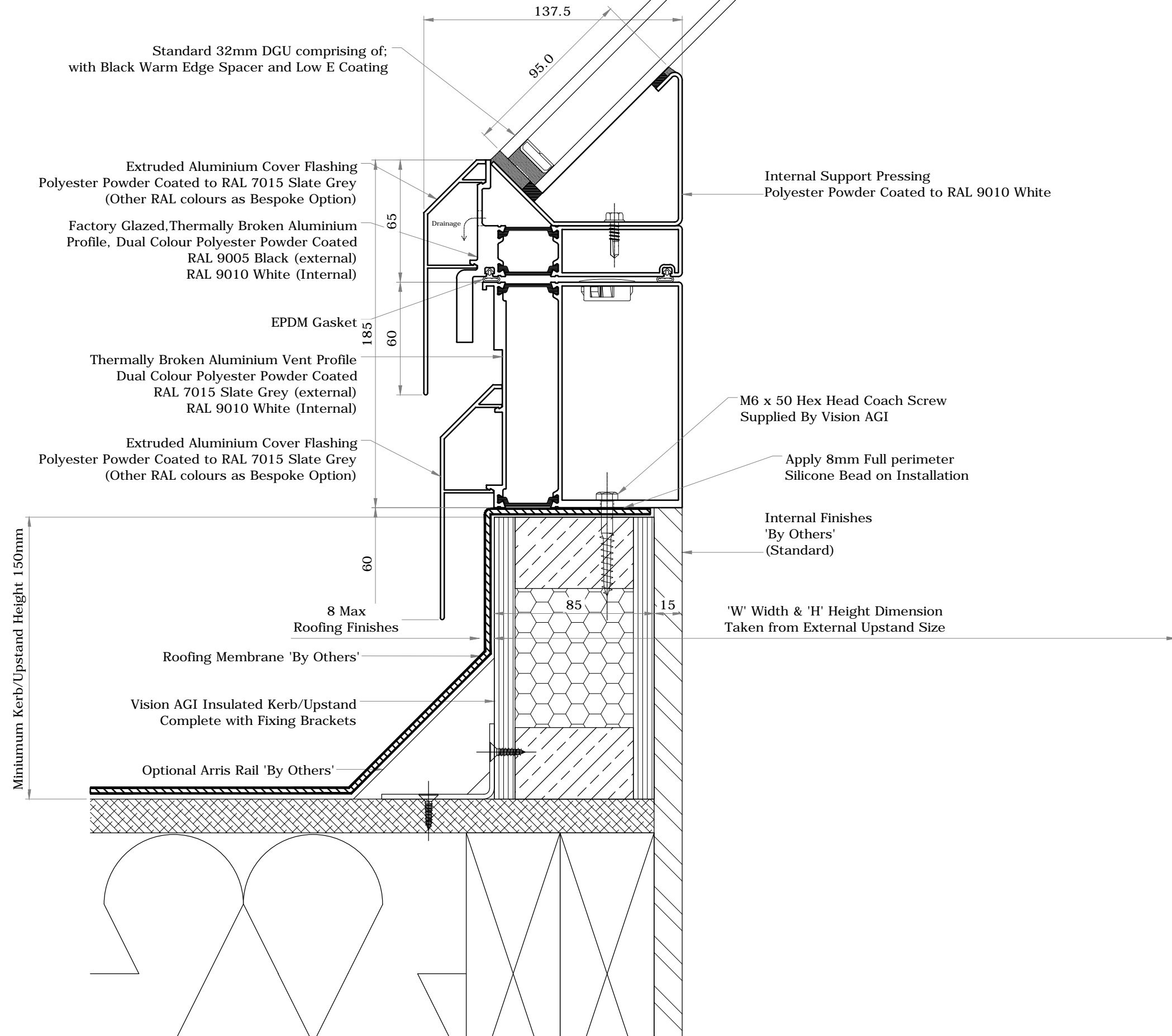
Vision AGI Limited
Waterhouse Business
Center
2 Cromar Way
Chelmsford
Essex 1CM 2QE

T: 01245 392 108
F: 01621 841 998
W: visionagi.co.uk



Client:	
Title:	Electric Opening Pyramid Rooflight
Project:	VAGI Rooflight
Scales:	NTS
Drg No.:	VR-EP-01

Date:	23/10/13	Drawn:	GSH	Chk:	EW
Rev:	A				



GENERAL NOTES

1. NO DIMENSIONS ARE TO BE SCALED FROM THIS DRAWING.
2. DISCREPANCIES IN SITE DIMENSIONS TO BE REPORTED TO VISION AGI LTD.
3. ALL DIMENSIONS IN MILLIMETERS.
4. ALL LEVELS IN METRES.
5. THIS DRAWING REMAINS THE PROPERTY OF VISION AGI LIMITED AND MAY NOT BE COPIED, REPRODUCED OR IT'S CONTENTS DIVULGED WITHOUT PRIOR WRITTEN CONSENT FROM VISION AGI LIMITED.



Rev	Date	Init	Revision

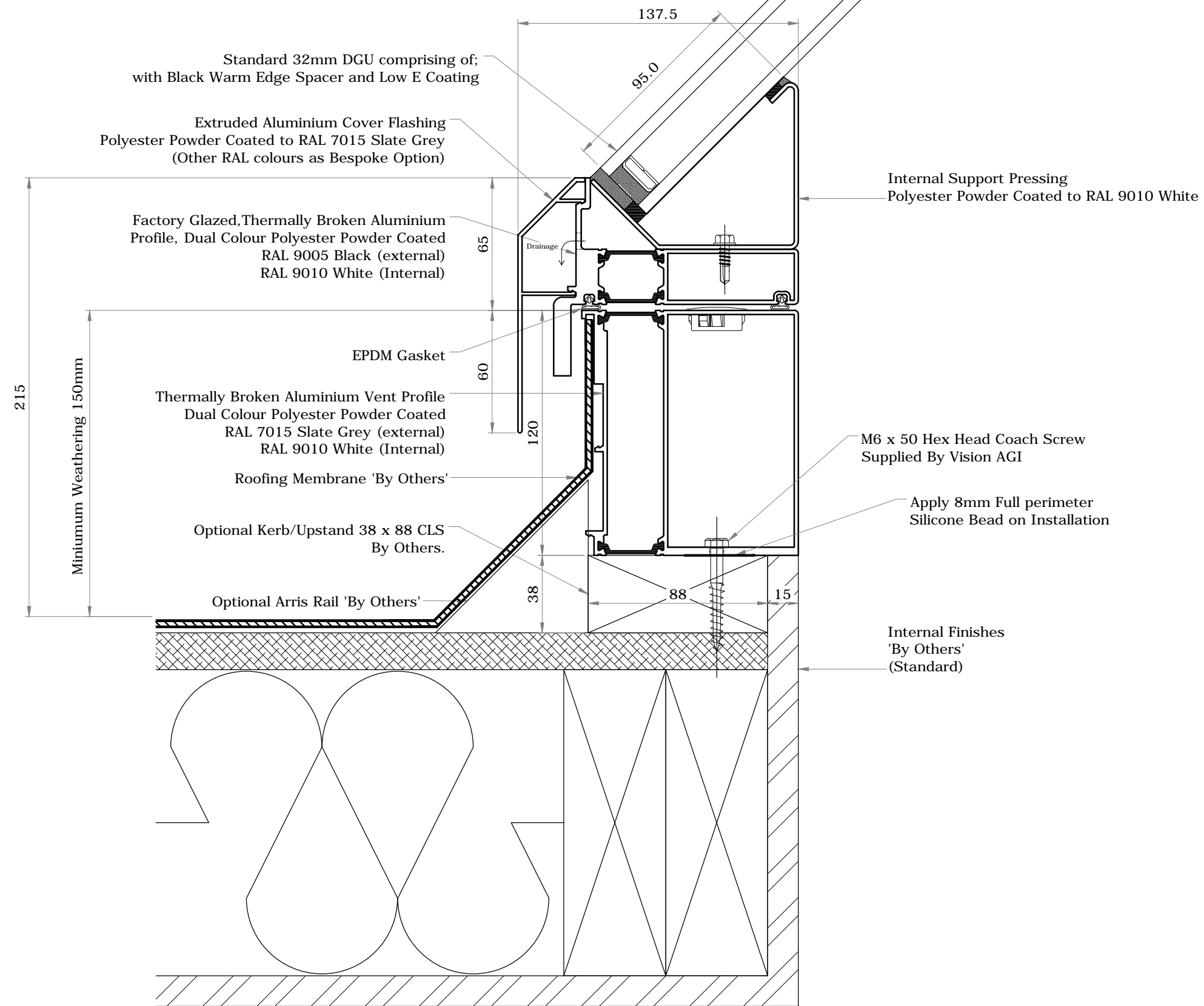
Vision AGI Limited
 Waterhouse Business Center
 2 Cromar Way
 Chelmsford
 Essex 1CM 2QE

T: 01245 392 108
 F: 01621 841 998
 W: visionagi.co.uk



Client:

Title: Electric Pyramid Rooflight Standard Kerb/Upstand Detail			
Project: VAGI Rooflight			
Scales: 1:2 @ A3	Date: 23/10/13	Drawn: GSH	Chk: EW
Drg No.: VR-EPD-01		Rev: A	



GENERAL NOTES

1. NO DIMENSIONS ARE TO BE SCALED FROM THIS DRAWING.
2. DISCREPANCIES IN SITE DIMENSIONS TO BE REPORTED TO VISION AGI LTD.
3. ALL DIMENSIONS IN MILLIMETERS.
4. ALL LEVELS IN METRES.
5. THIS DRAWING REMAINS THE PROPERTY OF VISION AGI LIMITED AND MAY NOT BE COPIED, REPRODUCED OR IT'S CONTENTS DIVULGED WITHOUT PRIOR WRITTEN CONSENT FROM VISION AGI LIMITED.



Rev	Date	Init	Revision

Vision AGI Limited
Waterhouse Business
Center
2 Cromar Way
Chelmsford
Essex 1CM 2QE

T: 01245 392 108
F: 01621 841 998
W: visionagi.co.uk



Client:

Title: **Electric Pyramid Rooflight
Optional Kerb/Upstand Detail**

Project: **VAGI Rooflight**

Scale: 1:2 @ A3	Date: 23/10/13	Drawn: GSH	Chk: EW
-----------------	----------------	------------	---------

Drg No.: VR-EPD-02	Rev: A
--------------------	--------